



### Anchorage Strength Tests

Report No/Date: 118d / 09 February, 2009

Application No/Date: 8 / 02 January, 2009

### MARE STONE TECHNOLOGIES

Anchorage load carrying capacity tests indicated below were done on the man-made cement based “facade system” samples with the commercial name of “MARESTONE” which were sent to our laboratory with your application dated January 2nd, 2009.

The Marestone Facade System samples were tested in accordance with ASTM C 1354. Load was applied to the system in two directions: (i) vertical to the surface and, (ii) parallel to the surface. Vertical loading were applied as inward and outward. Test set-ups for vertical and parallel loading are shown in Figures 1 and 2, respectively. Test results are given in Table 1.

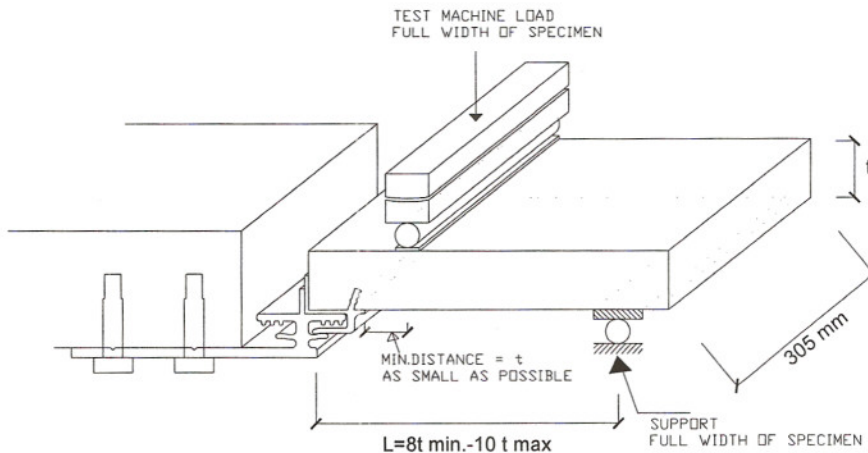
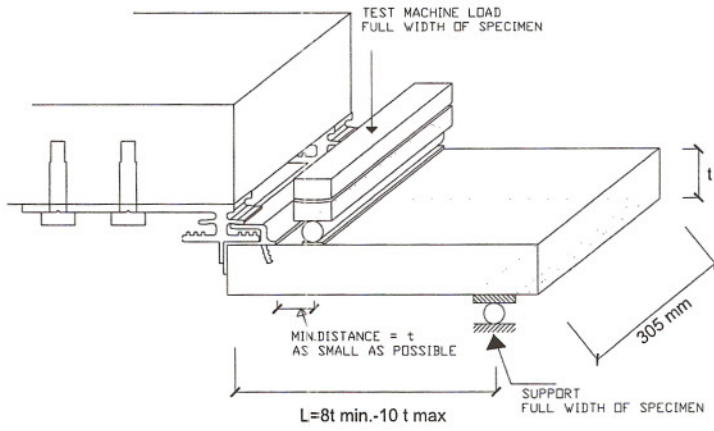
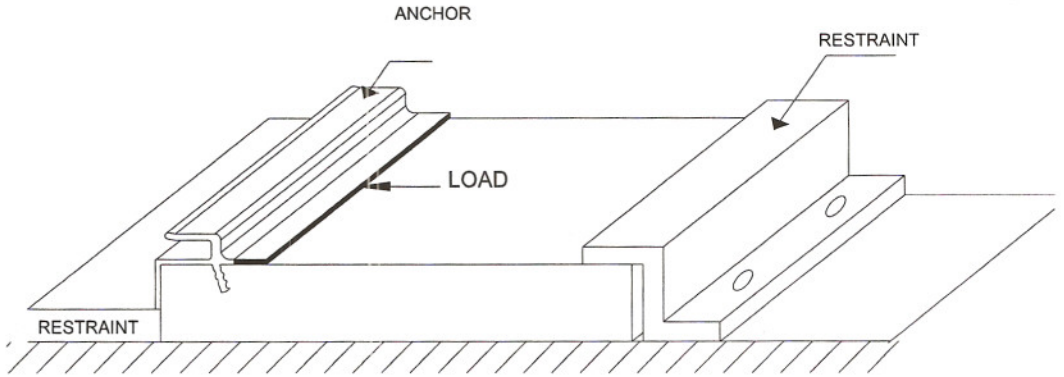


Figure 1a: Vertical loading (inward)



**Figure 1b: Vertical loading (outward)**



**Figure 2: Parallel loading**

**Table 1: Anchorage load carrying capacity test results.**

Sample No	Backing mesh	Sample Thickness (t)	Loading direction (*)	Failure Load (kgf/30cm)
1	NO	12mm	Vertical to surface (inward)	138
2				150
3				143
4				126
5				150
6	YES			207
7				240
8				188
9				212
10				245

*Handwritten signature*

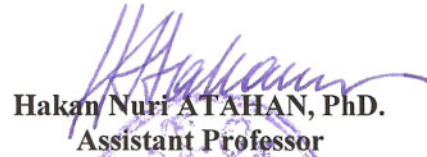
*Handwritten signature*

**Table 1 (Cont.): Anchorage load carrying capacity test results.**

Sample No	Backing mesh	Sample Thickness (t)	Loading direction (*)	Failure Load (kgf/30cm)
11	NO	12mm	Vertical to surface (outward)	112
12				145
13				124
14				162
15				164
16	YES			145
17				174
18				160
19				174
20				157
21	NO	12mm	Parallel to surface	150
22				84
23				126
24				160
25				95
26	YES			160
27				160
28				136
29				155
30				141



**Bekir PEKMEZCI, PhD.**  
Assistant Professor

  
**Hakan Nuri ATAHAN, PhD.**  
Assistant Professor

ITU Civil Engineering Faculty  
Construction Materials Division

