



Static Air Pressure Test

Report No/Date: 118b / 09 February, 2009

Application No/Date: 8 / 02 January, 2009

MARE STONE TECHNOLOGIES

Structural Performance of Exterior Dimension Stone Cladding Systems by Uniform Static Air Pressure Difference tests were carried out on the man-made cement based “facade system” samples with the commercial name of “MARESTONE” which were sent to our laboratory with your application dated January 2nd, 2009. The tests were carried out according to ASTM C1201-91 (reapproved 2003)

The test chamber setup is shown in Figure 1. The panels were fixed on the opening of the chamber. A continuous air pressure is applied to the chamber until the cracks were observed on the facade element. The maximum air pressure value is recorded. Test results are shown in **Table 1** and **Table 2**.

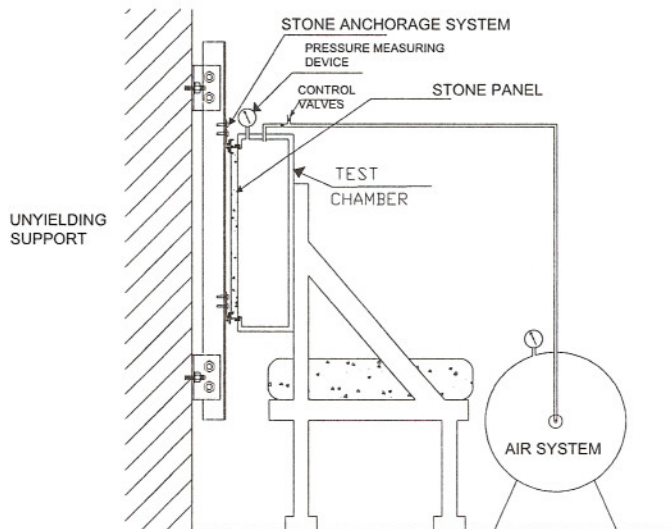


Figure: Static air pressure test setup.

Delm

JA


Table 1 : Test results for the samples size 300x1200x12 mm and 300x1500x12 mm


| Sample no | Sample Size (mm) | Backing mesh | Maksimum Pressure (kgf/m ²) |
|-----------|------------------|--------------|---|
| 1 | 300x1200x12 | Yes | 714 |
| 2 | 300x1200x12 | | 530 |
| 3 | 300x1200x12 | | 612 |
| 4 | 300x1200x12 | | 551 |
| 5 | 300x1500x12 | | 551 |
| 6 | 300x1500x12 | | 561 |
| 7 | 300x1200x12 | No | 816 |
| 8 | 300x1200x12 | | 816 |
| 9 | 300x1200x12 | | 1179 |
| 10 | 300x1200x12 | | 867 |
| 11 | 300x1500x12 | | 591 |
| 12 | 300x1500x12 | | 561 |

Table 2 : results for the samples size 600x1200x12 ve 600x1500x12 mm

| Sample no | Sample Size (mm) | Backing mesh | Maksimum Pressure (kgf/m ²) |
|-----------|------------------|--------------|---|
| 13 | 600x1500x12 | Yes | 408 |
| 14 | 600x1500x12 | | 408 |
| 15 | 600x1500x12 | | 449 |
| 16 | 600x1200x12 | | 510 |
| 17 | 600x1200x12 | | 408 |
| 18 | 600x1200x12 | | 387 |
| 19 | 600x1500x12 | No | 479 |
| 20 | 600x1500x12 | | 428 |
| 21 | 600x1500x12 | | 459 |
| 22 | 600x1200x12 | | 428 |
| 23 | 600x1200x12 | | 449 |
| 24 | 600x1200x12 | | 469 |

* Panels are fixed at each corner and at bottom and top of the middle of long directions.


Bekir PEKMEZCİ, PhD.
 Assistant Professor


Hakan Nuri ATAĞAN, PhD.
 Assistant Professor

ITU Civil Engineering Faculty
 Construction Materials Division

